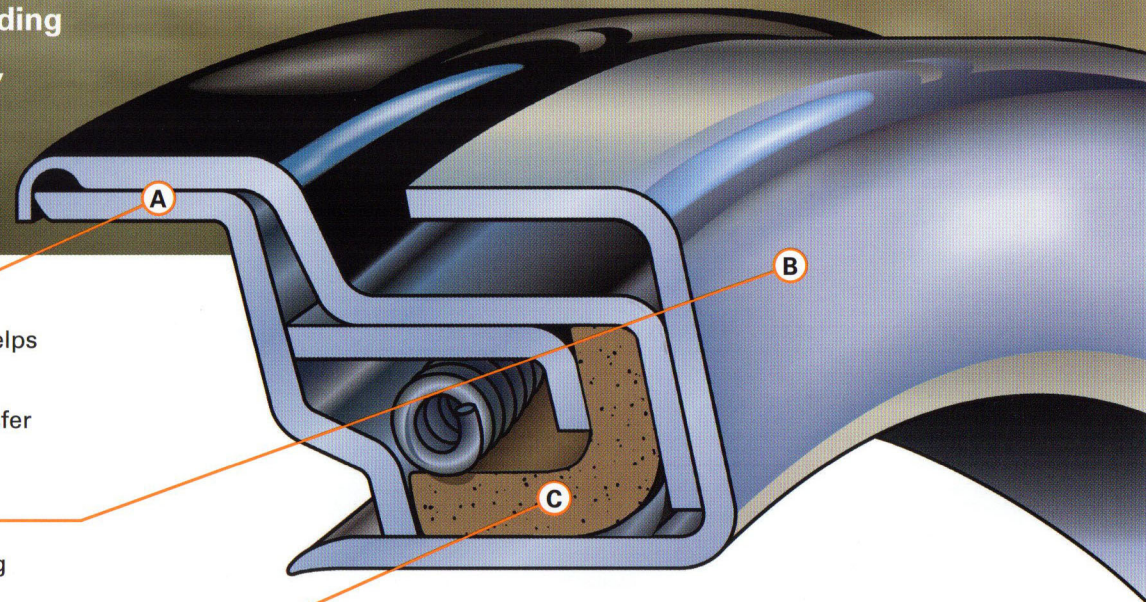


# TIMKEN LEATHER WHEEL END SEALS

# TIMKEN

Timken. A long-standing brand trusted by fleets because we understand commercial vehicle applications and the value of uptime. Your confidence is our commitment, providing products with reliable operation and outstanding performance designed to **MAXIMIZE FLEET UPTIME, OPERATIONS AND YOUR BOTTOM LINE.**



**A Rugged Durability:** Oversized double-walled metal outer diameter helps prevent the seal from spinning or walking out of the hub bore (includes black bore sealant). Heavy-duty construction enables effective heat transfer away from the sealing lip.

**B Impressive Adaptability:** Severe service sleeve provides a new running surface for worn or damaged axle spindles and protects the spindle from damage during hub removal. Standard service sleeves also are available.

**C Innovative Protection:** Lay down polymer-impregnated leather lip absorbs grit and provides protection across a broad temperature range (-65°F to 170°F [-55°C to 77°C]). Outperforms nitrile seals in cold, contaminated environments and are compatible with all natural and synthetic oils and greases.

**Stronger Value:** Designed to meet or exceed the features of major industry competitors.

**Simplified Installation:** Steer, drive and trailer axle seals are available with tools designed to simplify accurate installations (Timken commercial grade tools or the Timken Insta-Tool®).



## INTERCHANGE: TIMKEN LEATHER WHEEL END SEALS

TIMKEN		STEMCO	SKF	NATIONAL	TRISEAL
Leather Series	Application	Grit Guard	N/A	N/A	Leather Series
<b>Front Axle Seals</b>					
10X45000	Navistar Front Axle, FA 309, FA 329	382-8053 OBSOLETE	N/A	N/A	69692
10X45001	9,000# & 12,000# Front Axle, Navistar	382-8056 OBSOLETE	N/A	N/A	69696
10X43750	16,000# Front Axle, Ford, Kenworth, Mack, Meritor, Navistar, Peterbilt, Volvo GM, White, Western Star	382-8064	N/A	N/A	69697
10X35003	12,000# Front Axle, Eaton, Ford, Freightliner, Kenworth, Meritor, Navistar, Peterbilt, Volvo GM, Western Star	382-8036	N/A	N/A	69699
<b>Drive Axle Seals</b>					
11X52500	Mack Drive Axle 50,000# & 60,000#	392-9089	N/A	N/A	69781
11Y42500	44,000# Drive Axle, Mack	392-9112	N/A	N/A	70788
11X34370	15,000# Drive Axle, Ford, Meritor F-Series	392-9035	N/A	N/A	69785
11X38752	34,000# Drive Axle, Eaton, Ford, Navistar, White	392-9099	N/A	N/A	69794
11Y47672	38,000#, 46,000# Tandem Axle, Eaton, Ford, Freightliner, Kenworth, Meritor, Navistar, Peterbilt, Volvo GM, Western Star	392-9131	N/A	N/A	70799
11Y45001	34,000# & 38,000# Drive Axle, Mack	392-9094	N/A	N/A	70796
11Y47671	38,000# Drive Axle, Eaton, GMC, Mack, Meritor	392-9132	N/A	N/A	70798
11Y45000	19,000# Drive Axle, Eaton, Ford, GMC, Navistar, White	392-9088	N/A	N/A	70791
<b>Trailer Axle Seals</b>					
12Y46250	22,500# Trailer Axle, Dana, Eaton, Meritor TN, Standard Forge	372-7097	N/A	N/A	70598
12Y40000	19,000# Trailer Axle, Dana, Eaton, Standard Forge	372-7098	N/A	N/A	70561
12Y42501	Propar Trailer Axle, Dana, Eaton P-22, Fruehauf, Meritor TP	372-7099	N/A	N/A	70596
12X43750	20,000# Trailer Axle, Meritor, Shuler	372-7095	N/A	N/A	69599

### NOMENCLATURE



# TIMKEN

The Timken team applies their know-how to improve the reliability and performance of machinery in diverse markets worldwide. The company designs, makes and markets high-performance mechanical components, including bearings, gears, chain and related mechanical power transmission products and services.

Stronger. Commitment. Stronger. Value. Stronger. Worldwide. Stronger. Together. | Stronger. By Design.

1M 1-16: 29 Order No. 10876 | Timken® is a registered trademark of The Timken Company. | © 2016 The Timken Company | Printed in U.S.A.



Visit [timken.com/techseries](http://timken.com/techseries) to enroll in free technical training.  
[www.timken.com/aftermarket](http://www.timken.com/aftermarket)